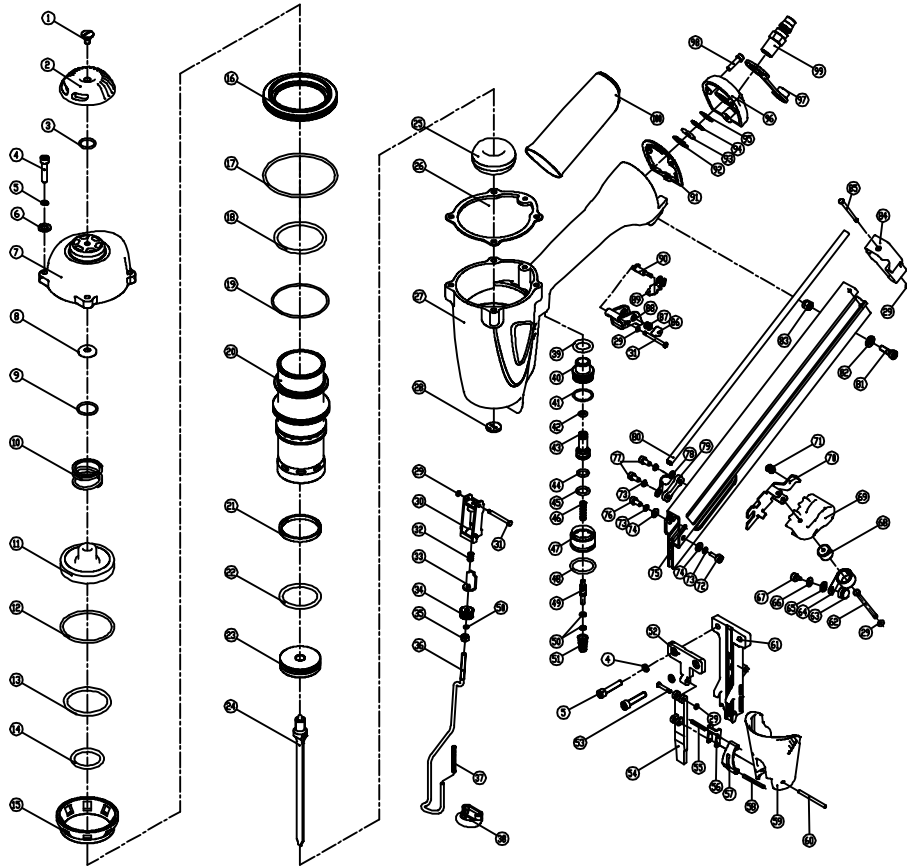


FREEMAN – PFN1564



Wearing Parts:

Ref. NO.	Name	Size	Total Quantity
9	O Ring	18X1.8	1
12	O Ring	50X2.65	1
13	O Ring	41.2X3.55	1
21	Teflon Ring		1
22	O Ring	35.5X1.8	1
23	Piston		1
24	Driver Blade		1
25	Bumper		1
32	Spring		1
37	Spring		1
38	No-mar tip		1
39	O Ring	11.2X2.4	1
41	O Ring	14X1.5	1
42	O Ring	3.75X1.8	1
43	O Ring	6X1.8	1
45	O Ring	7.5X1.8	1
63	Roller Seat		1
64	Pusher Spring		1
65	Flat Washer	5	1
66	Flat Washer	3	1
67	Hex. Bolt	M3X5	1
86	Pin Cap		1
87	Spring		1
88	Trigger		1
89	Trigger Plate		1
90	Pin		1